



## FC6

### FC6L/0B-0506-1F

Slot 50mm width 59mm depth ADJ  
PHOTOELECTRIC FORK FOR OBJECTS DETECTION WITH  
REGULATION

## OVERVIEW

- Simple and accurate adjustment manually by +/- buttons
- Infrared emission; LASER emission class 1
- Metal housing
- Light/Dark switching, selectable by button
- Minimum size object detection 0,2 mm (FC6I) and 0,05 mm (FC6L)
- -20...+60 °C temperature range
- M8 connectors (4pins): PNP/NPN, LO/DO
- Switching frequency 10 kHz



## TECHNICAL FEATURES

### Detection properties

Nominal sensing distance	50mm
minimum detectable object	0.05mm
Sensitivity adjustment	Teach-in

### Application

Function Principle	Photoelectric slot
--------------------	--------------------

#### Outputs

Output type	NPN / PNP L/D Selectable
Output Function	L/D Selectable
Switching frequency	10kHz
Response time	50 $\mu$ s

#### Electrical data

Operating Voltage	12...24VDC
No-Load supply current	$\leq$ 40mA
Load current	$\leq$ 100mA
Output voltage drop	$\leq$ 2V@Iload=100mA
Max ripple content	$\leq$ 10%
LED indicators	Yellow (status output), Red (adjustment or block keypad)
Time delay before availability	$\leq$ 200ms
Short-circuit protection	Yes
Reverse Polarity Protection	Yes
Emission	LASER Red (670nm) class1
Interference to external light	5000lux (incandescent lamp), 10000lux (sunlight)

## Mechanical data

Dimensions	Width slot detection 50mm - Depth slot detection 59mm
Weight	86g
Housing Material	Painted aluminium
Connections	M8 plug 4pin
Active Head Material	Polyamide/glass
Operating temperature	- 20°C...+ 50°C
Storage temperature	- 30°C...+ 80°C
Width slot detection	50mm
Depth slot detection	59mm

## Test/Approvals

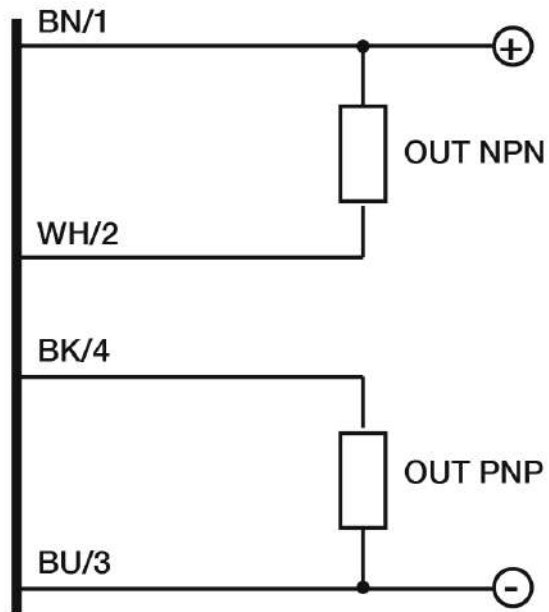
Approvals	CE
EMC compatibility	EN 60947-5-2
Degree of protection	IP65

## Generical Data

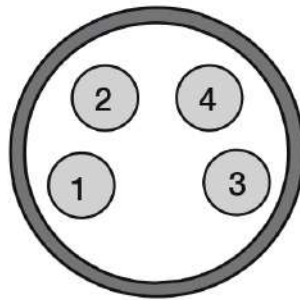
Dimensions	Width slot detection 50mm - Depth slot detection 59mm
Operating Temperature	- 10°C...+ 60°C (Without freeze)
Mechanical Protection	IP65

# CONNECTIONS

Electrical diagram



Connector



# OTHERS

Dimensions

