



QF

QFIH/00-1F

Photo.Mini,IR emiss.,M8 plug,Emitter
METALLIC CUBIC MINIATURIZED PHOTOELECTRIC
SENSORS. FOR HARSH ENVIRONMENTS OR FOOD AND
BEVERAGE APPLICATIONS.

OVERVIEW



TECHNICAL FEATURES

Detection properties

Nominal sensing distance	15m
Repeat Accuracy	5%
Sensitivity adjustment	Trimmer

Application

Function Principle	Diffuse reflection (medium distance, ≤600mm)
Emitter/Receiver	Emitter
Optic position	Radial 90°

Outputs

Output type

Electrical data

Operating Voltage 10...30VDC

No-Load supply current $\leq 25\text{mA}$

Output voltage drop $\leq 2\text{V}@I_{\text{load}}=100\text{mA}$

Max ripple content $\leq 10\%$

LED indicators Green (powerON)

Time delay before availability $\leq 200\text{ms}$

Short-circuit protection Yes

Reverse Polarity Protection Yes

Emission LED Infrared (850nm)

Impulsive Overvoltage Protection Yes

Mechanical data

Dimensions 31,4x21x11mm

Weight 65g

Housing Material Stainless steel AISI 316L

Connections M8 plug 4pin

Active Head Material PPSU

Operating temperature	- 25°C...+ 60° C (Without freeze)
Storage temperature	-40° ... +70°C
Diameter/Dimension	Cubic

Test/Approvals

Approvals	CE cULus ECOLAB
EMC compatibility	EN 60947-5-2
Shocks and vibrations	Vibration IEC 60068-2-6 / Shock IEC 60068-2-27
Degree of protection	IP68, IP69K

Accessories

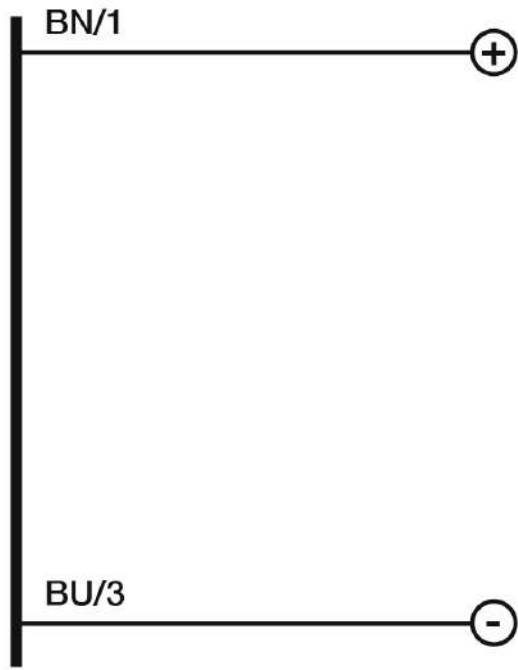
Supplied Accessories	Mouting bracket
----------------------	-----------------

Generical Data

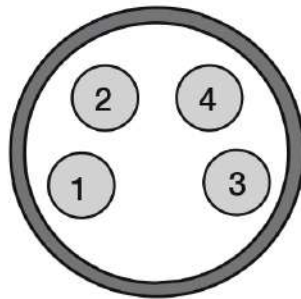
Dimensions	31,4x21x11mm
Operating Temperature	- 15°C...+ 55°C (Without freeze)
Mechanical Protection	IP68, IP69K

CONNECTIONS

Eletrical diagram

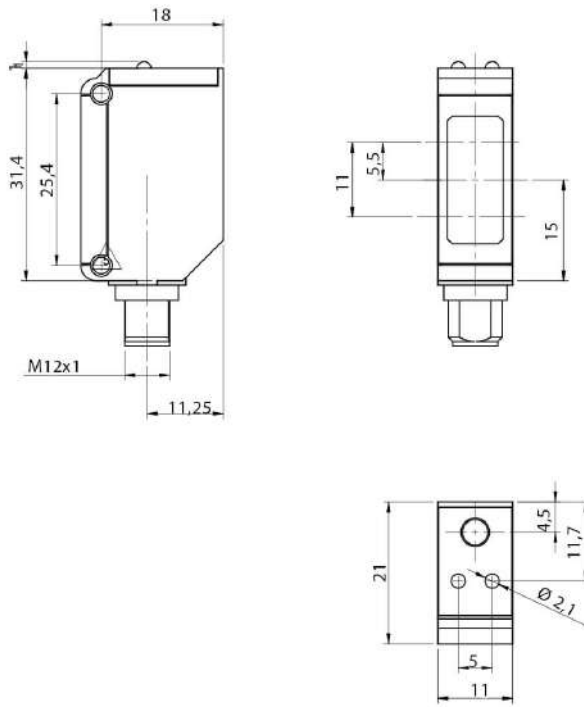


Connector

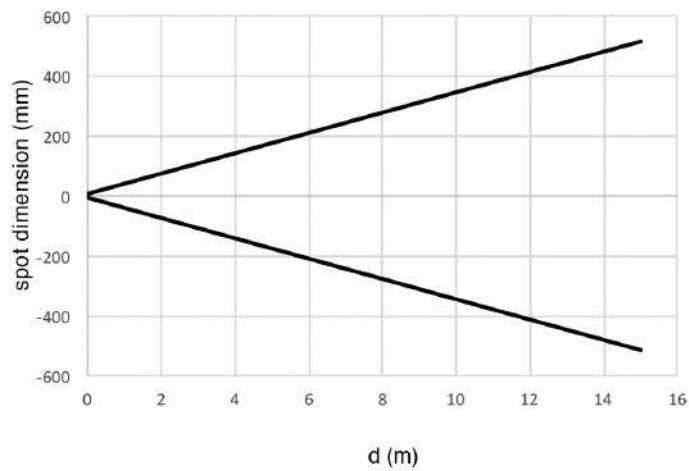


OTHERS

Dimensions



Response curves



**Datasensing
S.r.l.**

Strada S.Caterina, 235
41122 Modena (MO)
Tel. 059 420411
Fax 059 253973
E-mail
info@datasensing.com

**date of
printing**
02/07/2024
08:06:36