



QF

QFRN/BP-1F

**Photo.Min,PNP-NO+NC,M8 plug,Reflex
METALLIC CUBIC MINIATURIZED PHOTOELECTRIC
SENSORS. FOR HARSH ENVIRONMENTS OR FOOD AND
BEVERAGE APPLICATIONS.**

OVERVIEW



TECHNICAL FEATURES

Detection properties

Nominal sensing distance	6m
Repeat Accuracy	5%
Sensitivity adjustment	Trimmer

Application

Function Principle	Diffuse reflection (medium distance, ≤600mm)
Notes	On RL110 reflector
Emitter/Receiver	

Optic position	Radial 90°
----------------	------------

Outputs

Output type	PNP NO+NC
-------------	-----------

Output Function	NO+NC
-----------------	-------

Switching frequency	1Khz
---------------------	------

Response time	500μs
---------------	-------

Electrical data

Operating Voltage	10...30VDC
-------------------	------------

No-Load supply current	≤ 25mA
------------------------	--------

Load current	≤100mA
--------------	--------

Leakage current	≤100μA
-----------------	--------

Output voltage drop	≤2V@Iload=100mA
---------------------	-----------------

Max ripple content	≤10%
--------------------	------

LED indicators	Yellow (status output), green (stability, powerON)
----------------	--

Time delay before availability	≤200ms
--------------------------------	--------

Short-circuit protection	Yes
--------------------------	-----

Reverse Polarity Protection	Yes
-----------------------------	-----

Emission	LED Red (625nm)
----------	-----------------

Interference to external light	≤10000lux
--------------------------------	-----------

Impulsive Overvoltage Protection	Yes
----------------------------------	-----

Mechanical data

Dimensions	31,4x21x11mm
------------	--------------

Weight	65g
--------	-----

Housing Material	Stainless steel AISI 316L
------------------	---------------------------

Connections	M8 plug 4pin
-------------	--------------

Active Head Material	PPSU
----------------------	------

Operating temperature	- 25°C...+ 60° C (Without freeze)
-----------------------	-----------------------------------

Storage temperature	-40° ... +70°C
---------------------	----------------

Diameter/Dimension	Cubic
--------------------	-------

Test/Approvals

Approvals	CE cULus ECOLAB
-----------	-----------------

EMC compatibility	EN 60947-5-2
-------------------	--------------

Shocks and vibrations	Vibration IEC 60068-2-6 / Shock IEC 60068-2-27
-----------------------	--

Degree of protection	IP68, IP69K
----------------------	-------------

Accessories

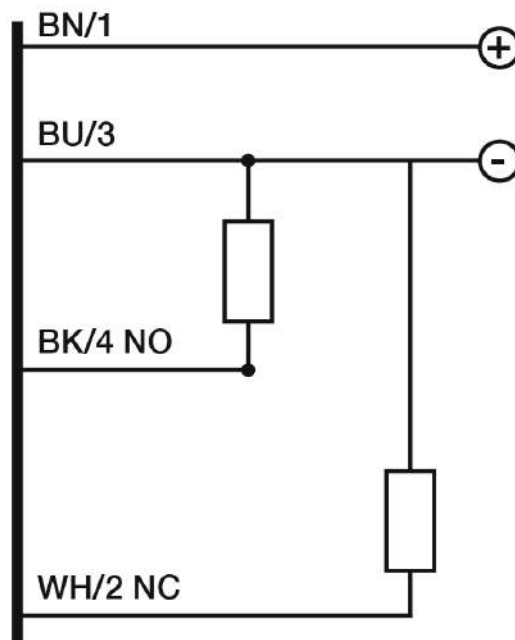
Supplied Accessories	Mouting bracket screwdriver
----------------------	-----------------------------

Generical Data

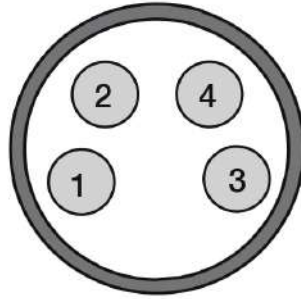
Dimensions	31,4x21x11mm
Operating Temperature	- 15°C...+ 55°C (Without freeze)
Mechanical Protection	IP68, IP69K

CONNECTIONS

Electrical diagram

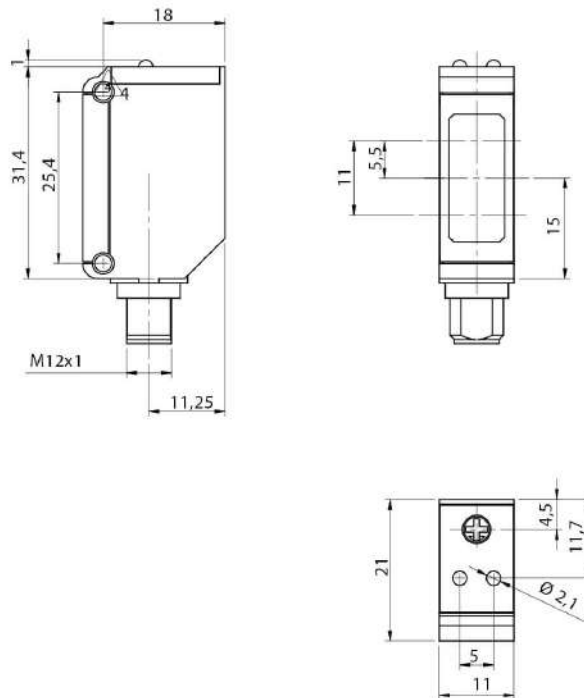


Connector

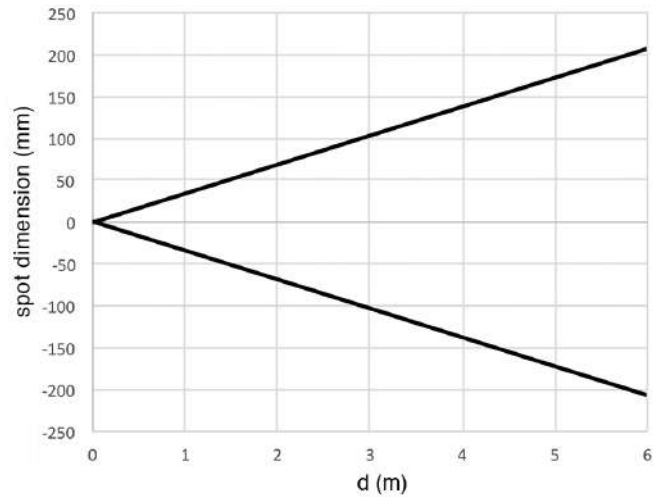


OTHERS

Dimensions



Response curves



**Datasensing
S.r.l.**

Strada S.Caterina, 235
41122 Modena (MO)
Tel. 059 420411
Fax 059 253973
E-mail
info@datasensing.com

**date of
printing**
02/07/2024
07:49:47