



QF

QFRS/BP-1F

**Photo.Min,PNP-NO+NC,M8 plug,BGS
METALLIC CUBIC MINIATURIZED PHOTOELECTRIC
SENSORS. FOR HARSH ENVIRONMENTS OR FOOD AND
BEVERAGE APPLICATIONS.**

TECHNICAL FEATURES

Detection properties

Nominal sensing distance	200mm
Repeat Accuracy	5%
Sensitivity adjustment	Trimmer
Minimum sensing distance (blind zone)	25mm

Application

Function Principle	Diffuse reflection (medium distance, $\leq 600\text{mm}$)
Optic position	Radial 90°

Outputs

Output type	PNP NO+NC
Output Function	NO+NC

Switching frequency	500Hz
Response time	1ms

Electrical data

Operating Voltage	10...30VDC
No-Load supply current	$\leq 40\text{mA}$
Load current	$\leq 100\text{mA}$
Leakage current	$\leq 100\mu\text{A}$
Output voltage drop	$\leq 2\text{V}@I_{\text{load}}=100\text{mA}$
Max ripple content	$\leq 10\%$
LED indicators	Yellow (status output), green (stability, powerON)
Time delay before availability	$\leq 200\text{ms}$
Short-circuit protection	Short circuit (autoreset), Overvoltage
Reverse Polarity Protection	Polarity inversal, Impulsive voltage
Emission	LED Red (617nm)
Interference to external light	$\leq 10000\text{lux}$

Mechanical data

Dimensions	31,4x21x11mm
Weight	65g

Housing Material	Stainless steel AISI 316L
Connections	M8 plug 4pin
Active Head Material	PPSU
Operating temperature	- 25°C...+ 60° C (Without freeze)
Storage temperature	-40° ... +70°C
Diameter/Dimension	Cubic

Test/Approvals

Approvals	CE cULus ECOLAB
EMC compatibility	EN 60947-5-2
Shocks and vibrations	Vibration IEC 60068-2-6 / Shock IEC 60068-2-27
Degree of protection	IP68, IP69K

Accessories

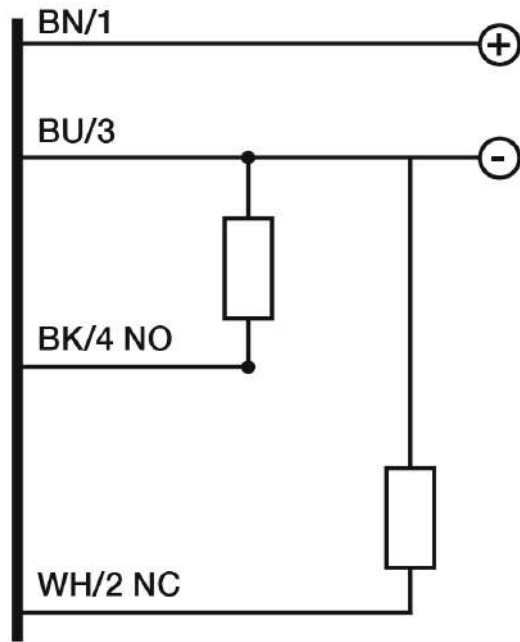
Supplied Accessories	Mouting bracket screwdriver
----------------------	-----------------------------

Generical Data

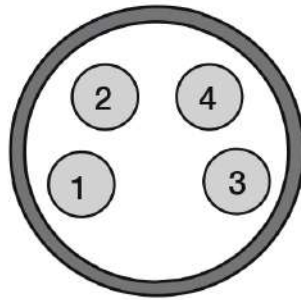
Dimensions	31,4x21x11mm
Operating Temperature	- 15°C...+ 55°C (Without freeze)
Mechanical Protection	IP68, IP69K

CONNECTIONS

Electrical diagram

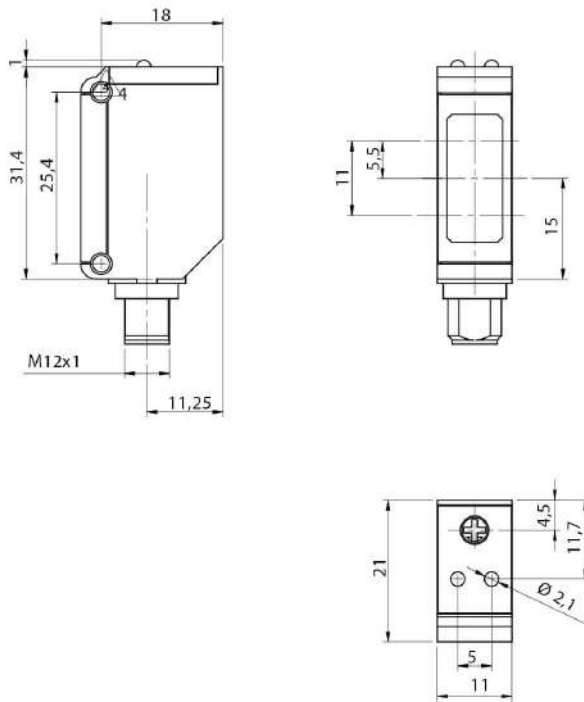


Connector

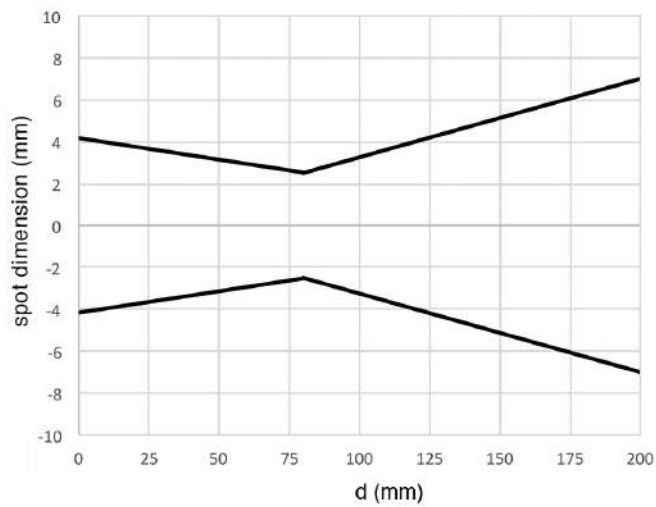


OTHERS

Dimensions



Response curves



**Datasensing
S.r.l.**

Strada S.Caterina, 235
41122 Modena (MO)
Tel. 059 420411
Fax 059 253973
E-mail
info@datasensing.com

**date of
printing**
02/07/2024
07:45:55