



ST

ST 08-A

Bracket M08 axial

TECHNICAL FEATURES

Application

Description

Metal axial mount bracket for M08 cylindrical sensors

Usable with

Accessories suitable for M08 cylindrical sensors

Installation

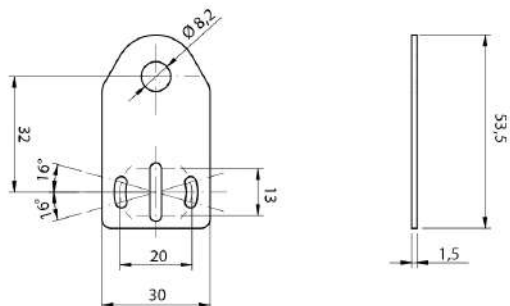
Mounting with M3 screws

Functions

M8 sensors

OTHERS

Dimensions



**Datasensing
S.r.l.**

Strada S.Caterina, 235
41122 Modena (MO)
Tel. 059 420411
Fax 059 253973
E-mail
info@datasensing.com

**date of
printing**
01/07/2024
14:38:41