



**ST**

**ST 12-A**

**Bracket M12 axial**

## TECHNICAL FEATURES

Application

Description

Metal axial mount bracket for M12 cylindrical sensors

Usable with

Accessories suitable for M12 cylindrical sensors

Installation

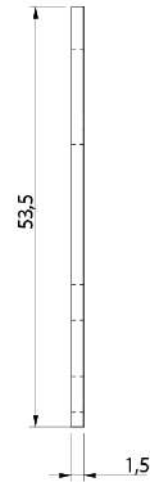
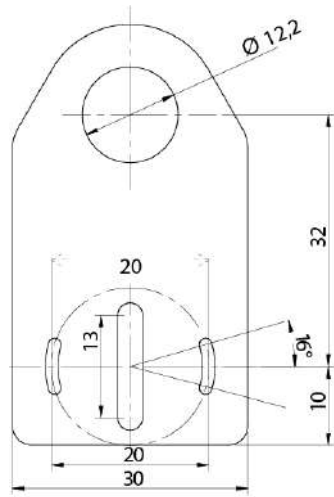
Mounting with M3 screws

Functions

M12 sensors

## OTHERS

Dimensions



**Datasensing  
S.r.l.**

Strada S.Caterina, 235  
41122 Modena (MO)  
Tel. 059 420411  
Fax 059 253973  
E-mail  
info@datasensing.com

**date of  
printing**  
01/07/2024  
14:32:42