



ST

ST 18-A

Bracket M18 axial

TECHNICAL FEATURES

Application

Description

Metal axial mount bracket for M18 cylindrical

Usable with

M18 cylindrical sensors

Installation

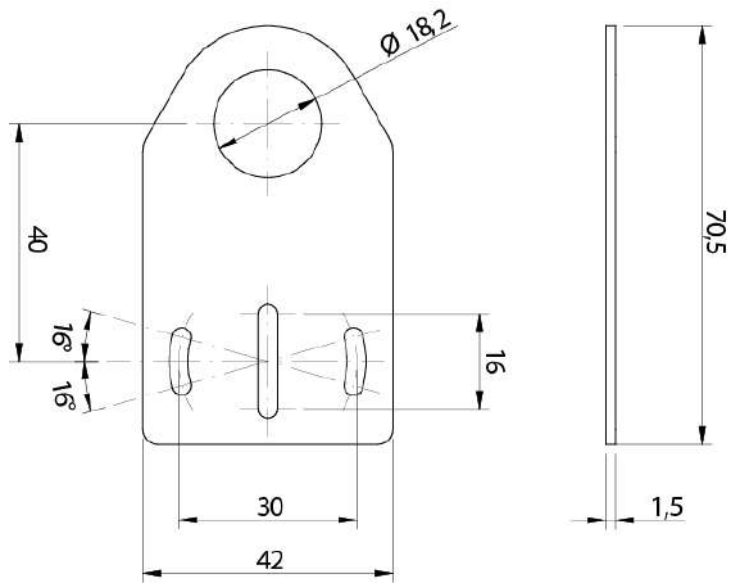
Mounting with M4 screws

Functions

M18 sensors

OTHERS

Dimensions



**Datasensing
S.r.l.**

Strada S.Caterina, 235
41122 Modena (MO)
Tel. 059 420411
Fax 059 253973
E-mail
info@datasensing.com

**date of
printing**
01/07/2024
14:29:34