



CQ55

CQ55/BP-3A

Cap.35x57x15,PNP-NO+NC,Cable,Sch/Nsch-LD
15 X 35 X 55 MM CUBIC CAPACITIVE SENSORS

OVERVIEW

- DC supply voltage
- Adjustable sensitivity
- Flat polycarbonate plastic housing



TECHNICAL FEATURES

Detection properties

Nominal sensing distance	4±25mm
Thermal drift of Sr	< 20%
Repeat Accuracy	5%
Sensitivity adjustment	Yes
Hysteresis	±20%

Outputs

Output type	PNP
-------------	-----

Output Function	NO + NC
-----------------	---------

Switching frequency	50Hz
---------------------	------

Electrical data

Operating Voltage	10...40Vdc
-------------------	------------

No-Load supply current	$\hat{I}_{sc} \approx 10\text{mA}$
------------------------	------------------------------------

Load current	$\hat{I}_{sc} \approx 200\text{mA}$
--------------	-------------------------------------

Leakage current	$\hat{I}_{sc} \approx 10\frac{1}{4}\text{A}$
-----------------	--

Output voltage drop	2,5Vmax @IL=200mA
---------------------	-------------------

Max ripple content	$\hat{I}_{sc} \approx 10\%$
--------------------	-----------------------------

LED indicators	Yellow LED (object detected)
----------------	------------------------------

Time delay before availability	$\hat{I}_{sc} \approx 100\text{ms}$
--------------------------------	-------------------------------------

Short-circuit protection	Yes, autoreset
--------------------------	----------------

Reverse Polarity Protection	Yes
-----------------------------	-----

Impulsive Overvoltage Protection	Yes
----------------------------------	-----

Mechanical data

Mounting	Shielded/Unshielded
----------	---------------------

Dimensions	55x35x15mm
Weight	150g
Housing Material	PC
Connections	2m PVC cable
Active Head Material	PC
Operating temperature	-25°Câ€¦+80°C (without freeze)
Storage temperature	-40°Câ€¦+85°C
Diameter/Dimension	55x35x15mm

Test/Approvals

Approvals	CE cULus
EMC compatibility	IEC 60947-5-2
Degree of protection	IP67

Accessories

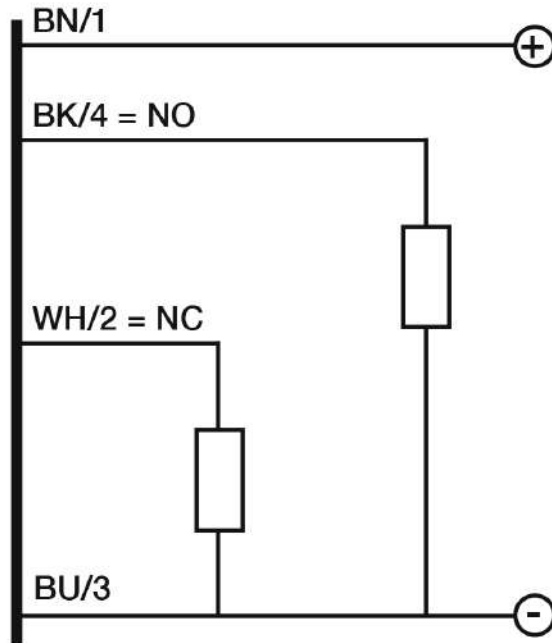
Supplied Accessories	screw driver
----------------------	--------------

Generical Data

Dimensions	55x35x15mm
Operating Temperature	-25°Câ€¦+80°C (without freeze)
Mechanical Protection	IP67

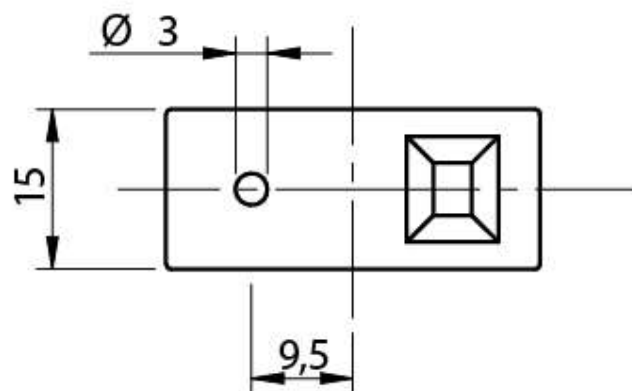
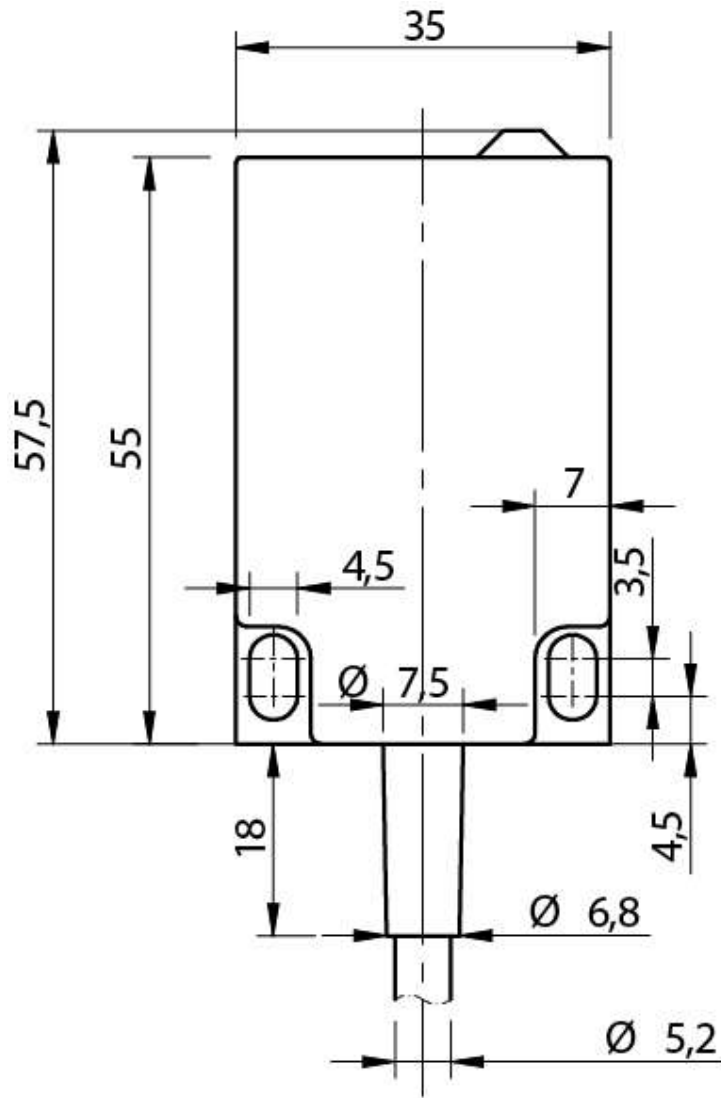
CONNECTIONS

Electrical diagram



OTHERS

Dimensions



**Datasensing
S.r.l.**

Strada S.Caterina, 235
41122 Modena (MO)

**date of
printing**
28/06/2024
07:39:01

Tel. 059 420411
Fax 059 253973
E-mail
info@datasensing.com