



PFK

PFK1/BN-3H

Ind.M18,NPN-NO+NC,M12
Plug,Sch-LD

M18 CYLINDRICAL INDUCTIVE
SENSORS FOR FOOD AND
BEVERAGE APPLICATIONS

OVERVIEW

- AISI 316L (DIN 1.4404) stainless steel housing
- LED status indicator
- IP67 “ IP68 “ IP69K protection degree
- ATEX models, cat. 3, available on request
- Complete protection against electrical damages
- Standard and long distance models



TECHNICAL FEATURES

Detection properties

Nominal sensing distance	8mm
Operanting distance	0â€ 6,48mm
Standard target	24x24mm FE360
Correction Factor	copper: 0,20 / aluminium: 0,30 / brass: 0,40 / stainless steel: 0,65
Thermal drift of Sr	< 10%

Repeat Accuracy	< 5% (UB 24V Ta=23°C ±5°C)
-----------------	----------------------------

Hysteresis	1 ± 20%
------------	---------

Application

Description	M18 standard flush mount
-------------	--------------------------

Functions	Proximity
-----------	-----------

Outputs

Output type	NPN
-------------	-----

Output Function	NO + NC
-----------------	---------

Switching frequency	1,5kHz
---------------------	--------

Electrical data

Operating Voltage	10...30Vdc
-------------------	------------

No-Load supply current	± 15mA
------------------------	--------

Load current	± 200mA
--------------	---------

Leakage current	± 10 ⁻⁴ A
-----------------	----------------------

Output voltage drop	± 2V @200mA
---------------------	-------------

Max ripple content	± 10%
--------------------	-------

LED indicators	Yellow LED output state
----------------	-------------------------

Time delay before availability	± 50ms
--------------------------------	--------

Short-circuit protection	Yes
Reverse Polarity Protection	Yes
Impulsive Overvoltage Protection	Yes
Protection against inductive loads	Yes

Mechanical data

Mounting	Shielded
Dimensions	M18 x 1 / L = 63,1mm
Weight	55g
Housing Material	AISI316L Stainless Steel
Connections	M12 Plug
Active Head Material	PPS
Tightening torque	50Nm
Operating temperature	-40°C to +80°C (up to 100°C for short exposure during cleaning process)
Material	AISI316L Stainless Steel
Diameter/Dimension	M18

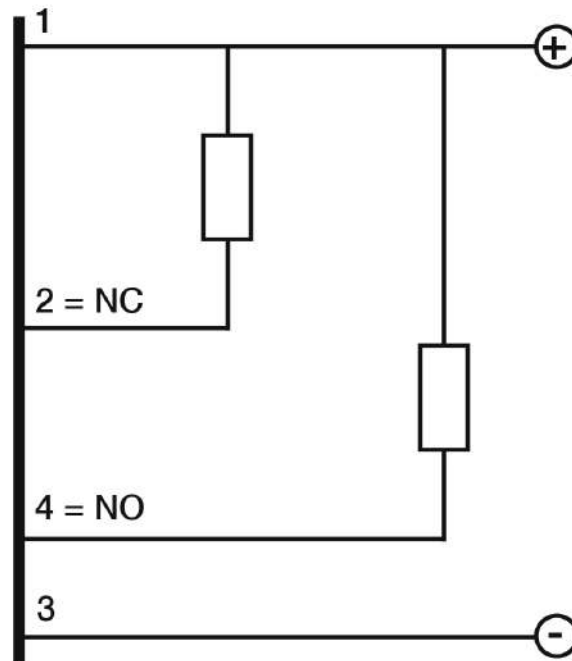
Test/Approvals

Approvals	CE cULus ECOLAB DIVERSY
EMC compatibility	IEC 60947-5-2

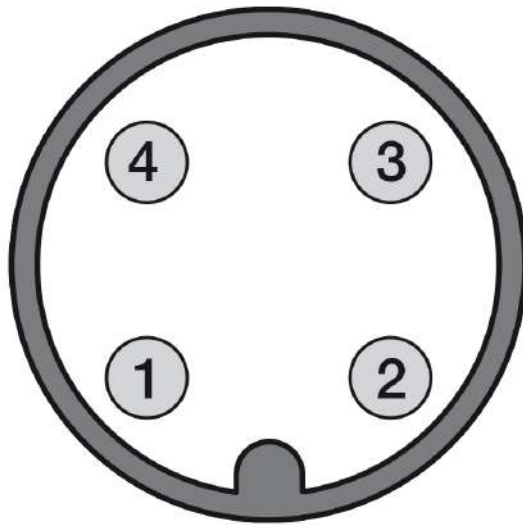
Shocks and vibrations	Vibration IEC 60068-2-6 / Shock IEC 60068-2-27
Degree of protection	IP68, IP69K
Accessories	
Supplied Accessories	2 nuts M18x1
Generical Data	
Dimensions	M18 x 1 / L = 63,1mm
Operating Temperature	-40°Câ€¦+80°C (up to 100°C for short exposure during cleaning process)
Mechanical Protection	IP67

CONNECTIONS

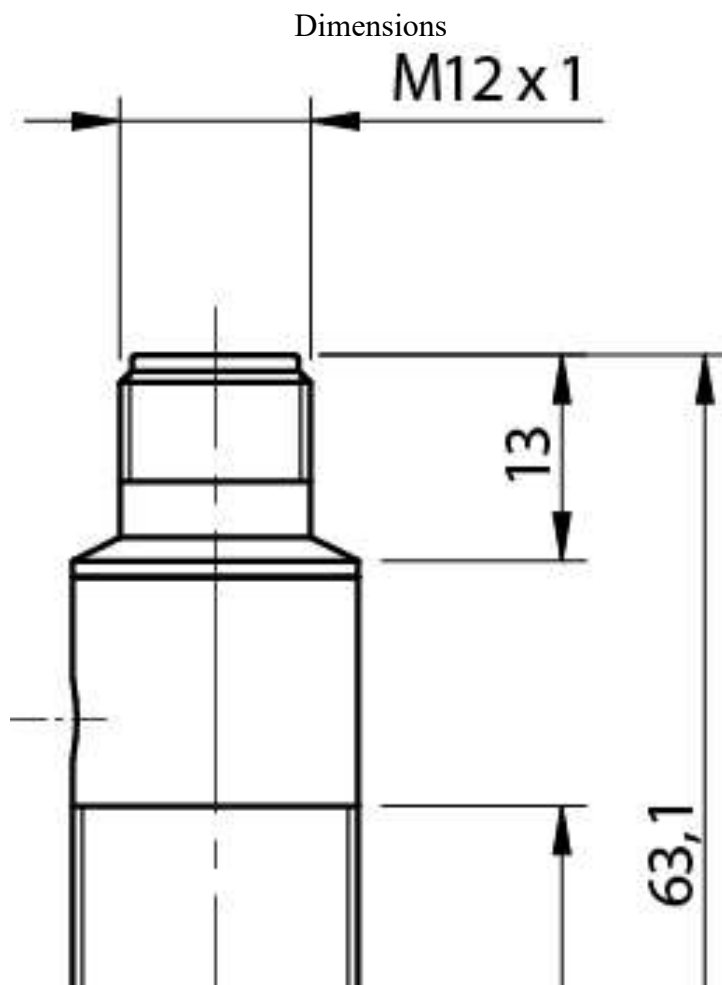
Electrical diagram

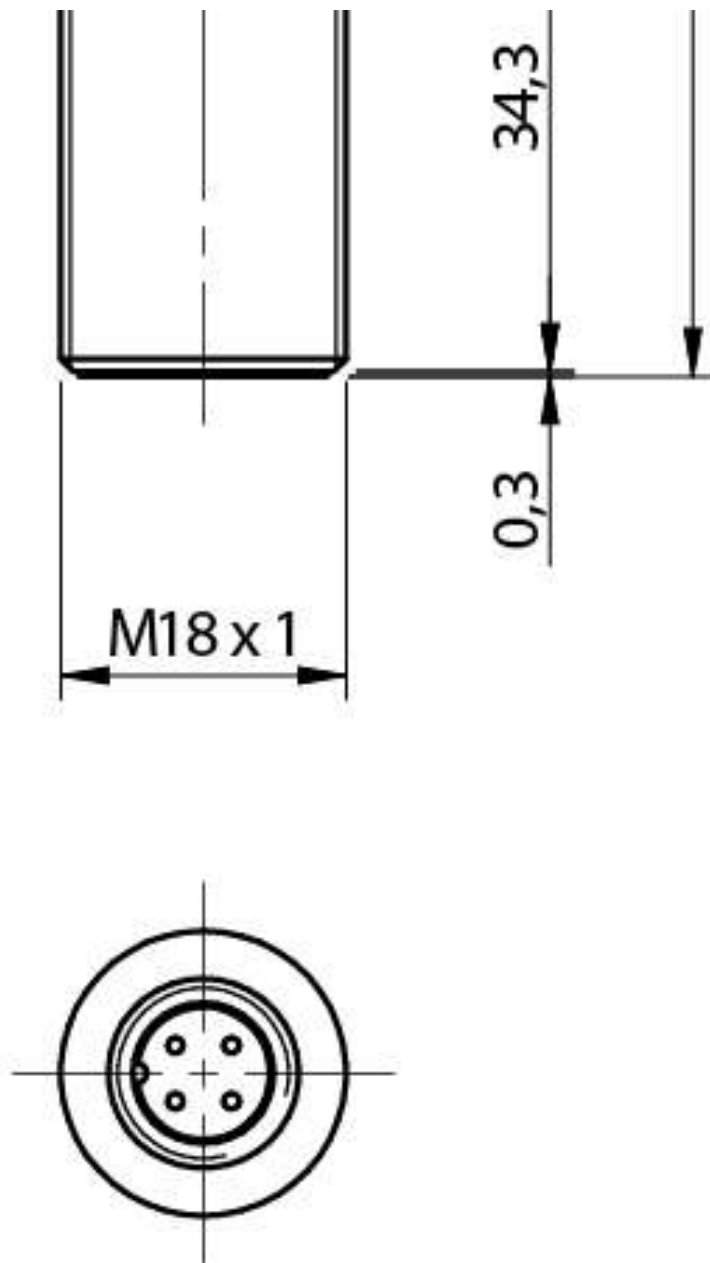


Connector

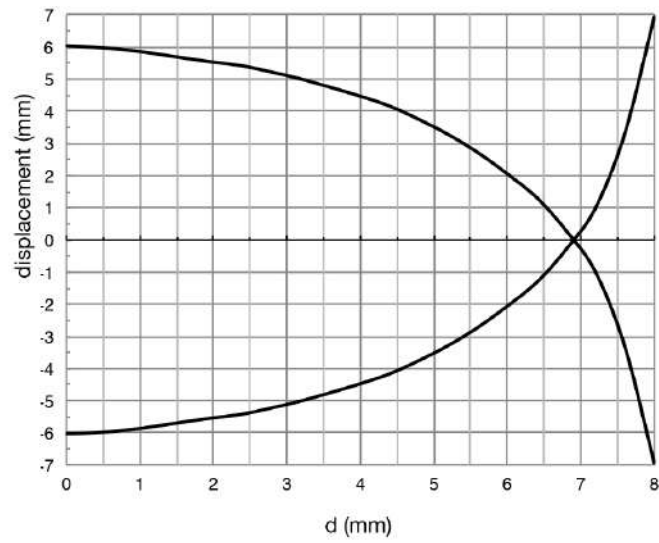


OTHERS

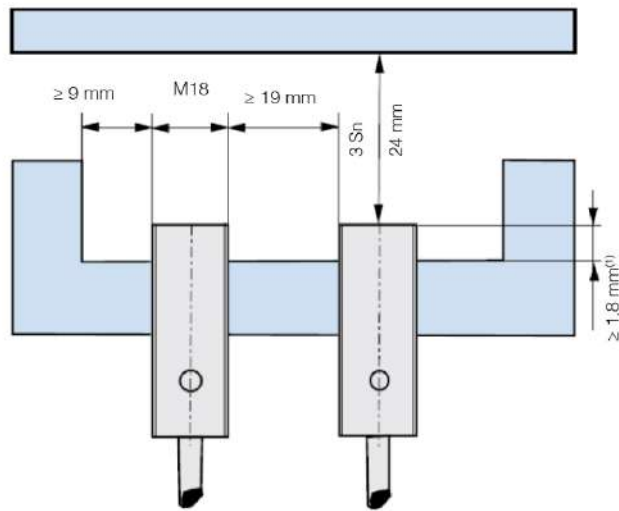




Response curves



Installation



⁽¹⁾ $\geq 3,6$ mm for non magnetic materials

Datasensing S.r.l.

Strada S.Caterina, 235
41122 Modena (MO)
Tel. 059 420411
Fax 059 253973
E-mail
info@datasensing.com

**date of
printing**
28/06/2024
10:09:14