

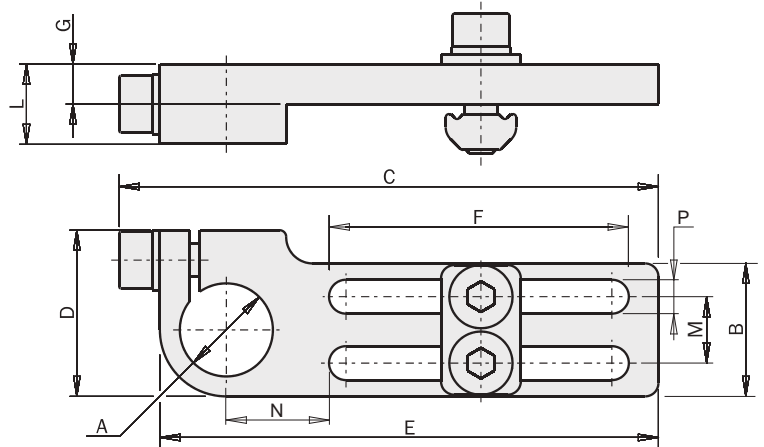
**Unión de montaje**

(kit completo de tornillos)  
(material: aluminio)

**Mounting bracket**

(kit with screws)  
(material: aluminium)

	MFI-A04	MFI-A05	MFI-A06	MFI-A07	MFI-A08
A [mm]	Ø10	Ø14	Ø14	Ø20	Ø30
B [mm]	16	20	20	25	35
C [mm]	75	81.1	91.1	111.1	121.1
D [mm]	20	25	25	30	42
E [mm]	70	75	85	105	115
F [mm]	42.2	45.2	55.2	65.2	65.5
G [mm]	4.5	6	6	6	8
L [mm]	8	12	12	12	12
M [mm]	8	10	10	15	20
N [mm]	13.9	15.4	15.4	21.4	26.5
P [mm]	4.1	5.1	5.1	5.1	8
Compatible con: Compatible with:	EMF-1018	EMF-1018	EMF-1018	-	-
	EMF-1818	EMF-1818	EMF-1818	-	-
	EMF-2510	EMF-2510	EMF-2510	EMF-2510	EMF-2510
	EMF-2518	EMF-2518	EMF-2518	EMF-2518	EMF-2518
	EMF-2525	EMF-2525	EMF-2525	EMF-2525	EMF-2525
	EMF-5025	EMF-5025	EMF-5025	EMF-5025	EMF-5025
	-	EMF-4040	EMF-4040	EMF-4040	EMF-4040
	-	EMF-8040	EMF-8040	EMF-8040	EMF-8040
	EMB-2017	EMB-2017	EMB-2017	-	-
	EMB-3026	EMB-3026	EMB-3026	EMB-3026	EMB-3026
EMB-5045	EMB-5045	EMB-5045	EMB-5045	EMB-5045	
Peso Weight	23 g	38 g	40 g	55 g	95 g



**Ejemplo de aplicación**  
**Application example**

